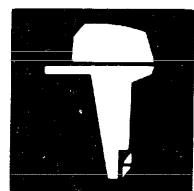


YAMAHA

parts list '78/'79

FOR EUROPE



outboard
motor

5B

serial no.

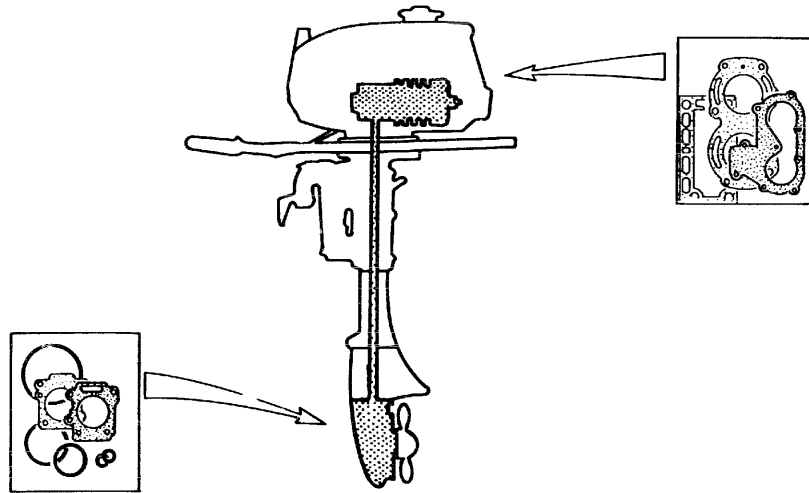
5B S : 000261 and up

L : 300461 and up

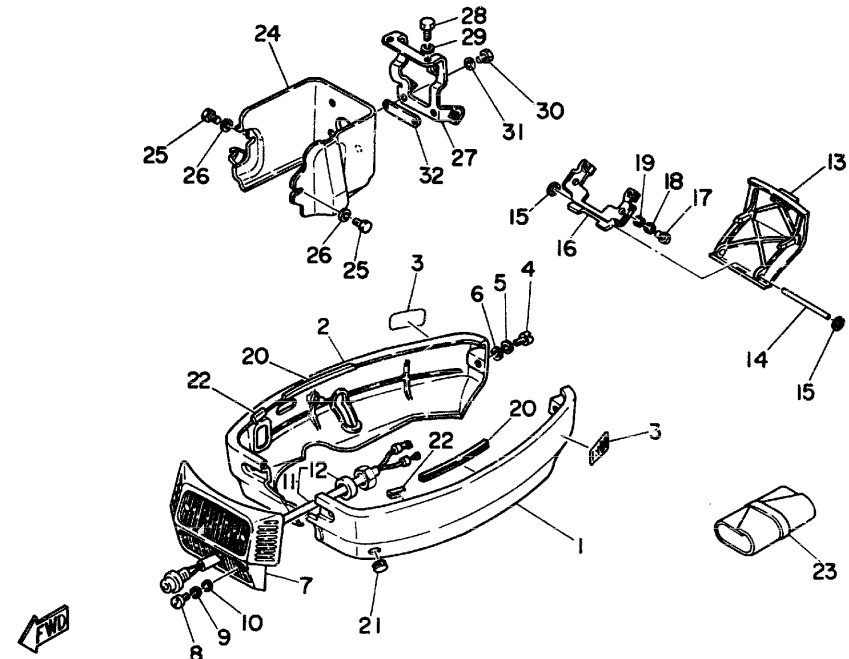
INDEX

INDEX	A2
REPAIR KIT	A3
COWLING	A4
STARTER	A5
FLYWHEEL MAGNETO	A6
CRANKCASE, CYLINDER & PISTON	A7, A8
INTAKE	A9, A10
UPPER CASING & STEERING	A11, A12
LOWER & DRIVE	A13, A14
BRACKET	B1, B2
FUEL SECTION	B3
SPECIAL SERVICE TOOLS	B4, B5
INTERCHANGEABILITY LIST	B6
NUMERICAL INDEX	B7, B8

REPAIR KIT



- POWER HEAD GASKET KIT 654-W0001-80
- LOWER UNIT GASKET KIT 654-W0001-30
- CRANK CYLINDER ASS'Y 654-W0090-81
- CARBURETOR REPAIR SET 654-W0093-00
- LOWER UNIT ASS'Y (Short) 654-45300-00-F6
- LOWER UNIT ASS'Y (Long) 654-45300-10-F6



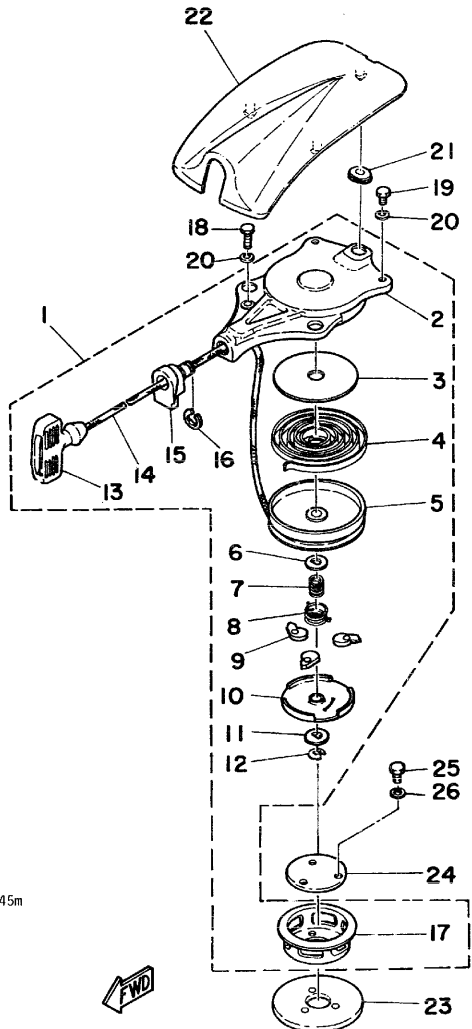
Ref.No.	Parts No.	Description	Q'ty	Ref.No.	Parts No.	Description	Q'ty
1	654-42741-02-F6	APRON 1	1	17	98503-05015	SCREW, panhead	2
2	654-42771-02-F6	APRON 2	1	18	92990-05100	WASHER	2
3	624-42783-80	GRAPHIC, side	2	19	92990-05600	WASHER	2
4	98503-05015	SCREW, cylinderhead	2	20	654-24193-00	SEAT, tank protector	2
5	92990-05100	WASHER	2	21	90480-12M01	GROMMET	1
6	92990-05600	WASHER	2	22	654-24188-00	MOLD, fuel tank	2
7	654-42614-00	PANEL, front upper	1	23	670-28100-60	TOOL ASS'Y	1
▽ 8 *	97890-05016	SCREW, panhead	4	24	654-12651-01-58	AIR SHROUD, cylinder 1	1
△ *	98503-05015	SCREW, panhead	4	25	97313-06116	BOLT	3
9	92990-05100	WASHER	4	26	92903-06100	WASHER	3
10	90201-05328	WASHER (5.2φ-10φ-0.8mm)	4	27	654-82316-02	BRACKET, ignition coil	1
11	654-82550-00	STOP SWITCH ASS'Y	1	28	97313-06025	BOLT	2
12	90387-16211	COLLAR (16.5φ-23φ-11mm)	1	29	92903-06100	WASHER	2
13	654-42772-03-F6	COVER, apron 1	1	30	97313-06016	BOLT	2
14	654-42752-01	SHAFT	1	31	92903-06100	WASHER	2
15	654-42691-00	NUT, speed 1	2	32	654-82517-00	WASHER, special	1
16	654-42743-01	BRACKET	1				

△ { 5B S: 002730 and below
L: 302300 and below } ▽ { 5B S: 002731 and up
L: 302301 and up }

* New parts number
* Not shown

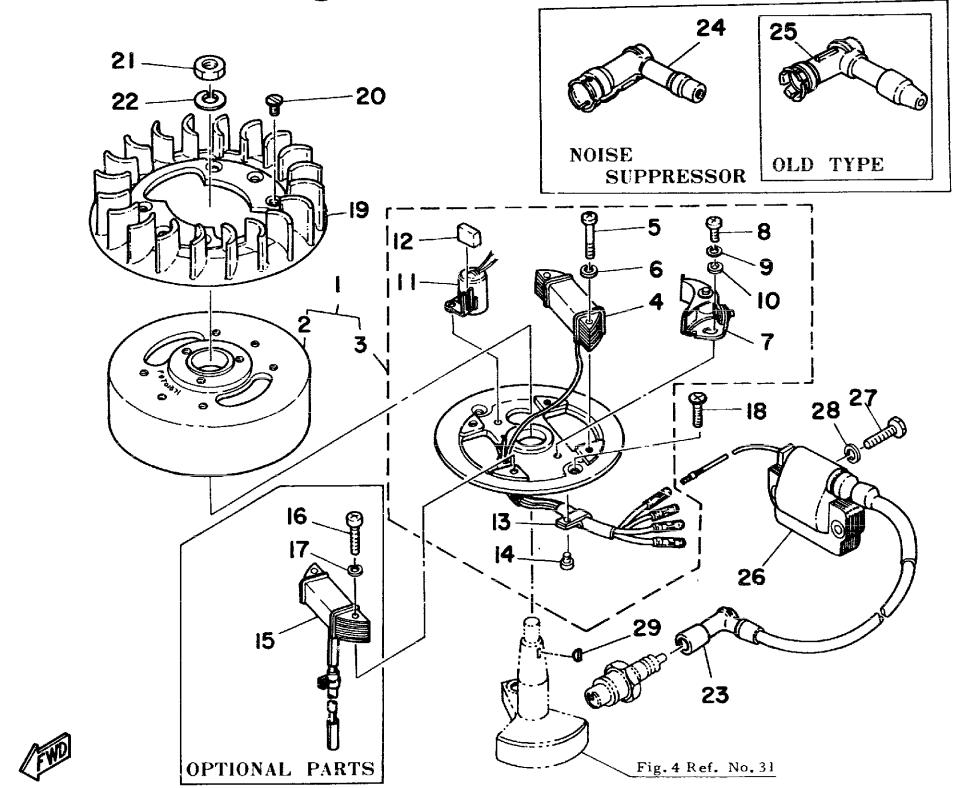
Fig. 2 STARTER -'78/'79

Ref.No.	Parts No.	Description	Q'ty
1	654-15710-05-33	STARTER ASS'Y	1
2	654-15711-02-33	CASE, starter	1
3	615-15724-00	PLATE, slide	1
4	619-15713-01	SPRING, starter	1
5	619-15714-00	DRUM, sheave	1
6	619-15719-02	WASHER, thrust 1	1
7	619-15715-00	SPRING, drive plate	1
8	619-15734-00	SPRING, return	1
9	619-15741-01	PAWL, drive	3
10	615-15716-00	PLATE, drive	1
11	615-15719-00	WASHER, thrust 1	1
12	93430-07020	CIRCLIP (E-7φ)	1
13	619-15755-01	HANDLE, starter	1
14	+	WIRE (1450mm)	1
15	654-15758-01	GUIDE, rope	1
16	93430-10016	CIRCLIP (E-10φ)	1
17	654-15723-00	PULLEY, starter	1
18	97313-06020	BOLT	1
19	97313-06010	BOLT	2
20	92903-06100	WASHER	3
21	90480-14074	GROMMET	3
22	654-15712-01	COVER, starter case	1
23	654-81362-00	COVER, hole	1
24	661-81363-00	COVER, hole 2	1
25	97313-06012	BOLT	3
26	92903-06100	WASHER	3



+ Cut from 50m roll, Parts No. 90890-44373, cutting length 1.45m

Fig. 3 FLYWHEEL MAGNETO -'78/'79



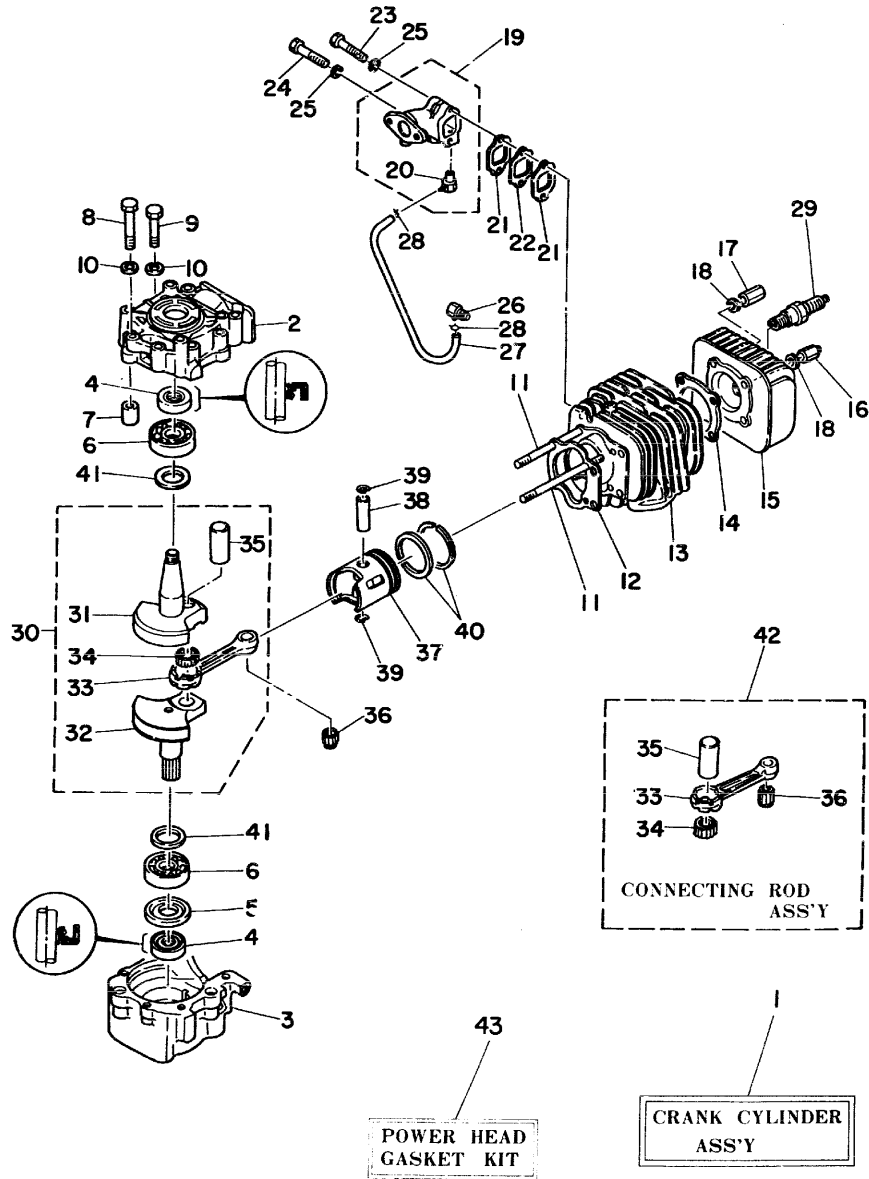
Ref.No.	Parts No.	Description	Q'ty	Ref.No.	Parts No.	Description	Q'ty
1	654-81300-22	FLYWHEEL MAGNETO ASS'Y	1	17	92903-05100	WASHER	2
2	654-81350-20	ROTOR ASS'Y	1	18	98703-05018	SCREW, flathead	2
3	654-81310-22	BASE ASS'Y	1	19	654-81361-00	FAN, brade	1
4	654-81311-22	COIL, ignition	1	20	98701-05008	SCREW, flathead	6
5	98501-04032	SCREW, panhead	2	21	95303-10600	NUT	1
6	92901-04100	WASHER	2	22	92903-10100	WASHER	1
7	654-81321-20	CONTACT BREAKER ASS'Y	1	23	624-82370-00	PLUG CAP ASS'Y	1
8	98501-04012	SCREW, panhead	1	▶ 24	677-82370-00	PLUG CAP ASS'Y (Noise Suppressor)	1
9	92901-04100	WASHER	1	◀ 25	650-82370-00	PLUG CAP ASS'Y (Noise Suppressor)	1
10	92901-04200	WASHER	1	26	654-82310-21	IGNITION COIL ASS'Y	1
11	624-81325-20	CONDENSER	1	27	97313-06025	BOLT	2
12	116-81331-20	LUBRICATOR	1	28	92903-06100	WASHER	2
13	603-81328-20	CLAMP, lead	1	▽ 29	90280-03M01	KEY, woodruff	1
14	98501-04006	SCREW, panhead	1	◁ *	90280-03004	KEY, woodruff	1
15	654-81313-60	COIL, lighting 1 (Optional)	1				
16	98503-05025	SCREW	2				

◀ 5B S: 002490 and below L: 302060 and below ▶ 5B S: 002491 and up L: 302061 and up ◁ 5B S: 002340 and below L: 302040 and below ▷ 5B S: 002341 and up L: 302041 and up

* New parts number

※ Not shown

Fig. 4 CRANKCASE, CYLINDER & PISTON '78/'79



CRANKCASE, CYLINDER & PISTON '78/'79

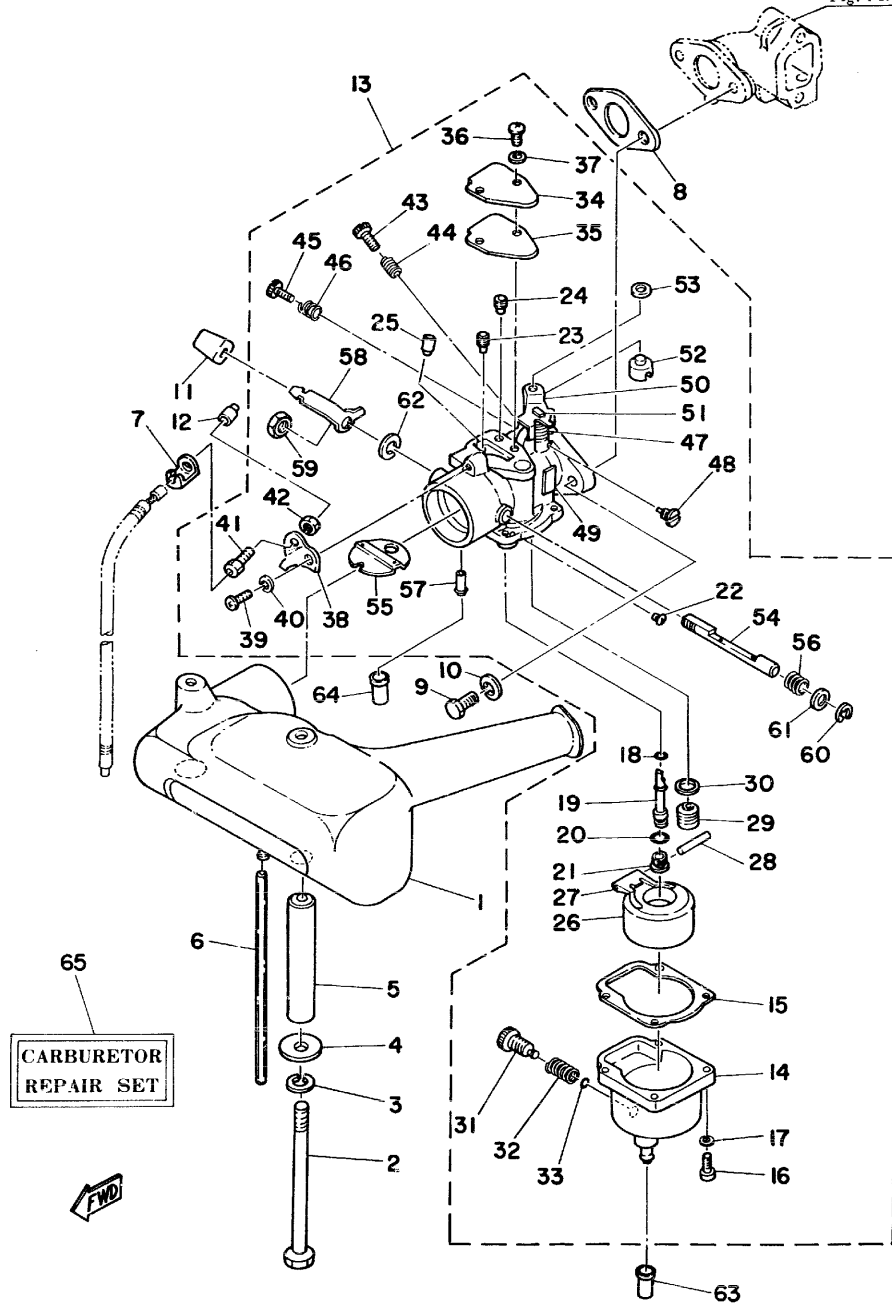
Ref.No.	Parts No.	Description	Q'ty	Ref.No.	Parts No.	Description	Q'ty
1	654-W0090-81	CRANK CYLINDER ASS'Y (Ref. No. 2 to 41)	1	31	654-11412-00	CRANK 1	1
2	654-15111-02-94	CASE, crank 1	1	*	615-11412-01	CRANK 1	1
*	654-15111-01-94	CASE, crank 1	1	32	615-11422-02	CRANK 2	1
3	654-15121-80-94	CASE, crank 2	1	33	620-11651-00	ROD, connecting	1
4	93102-20092	OIL SEAL (SD-20φ-36φ-7mm)	2	34	93310-41810	BEARING, con-rod big end	1
5	654-15185-00	PROTECTOR, oil seal	1	35	122-11681-01	PIN, crank	1
6	93306-20418	BEARING (B6204C3)	2	36	93310-11268	BEARING, con-rod small end	1
7	91830-22016	PIN, dowel A (8.4φ-12φ-16mm)	2	37	644-11631-03-96	PISTON (Standard 49.96mm)	U.R.
8	97313-06055	BOLT	2	⊕	644-11631-02-96	PISTON (Standard 49.96mm)	
9	97313-06045	BOLT	6	⊕	644-11631-03-97	PISTON (Standard 49.97mm)	1
10	92903-06100	WASHER	5	⊕	644-11631-02-97	PISTON (Standard 49.97mm)	U.R.
11	90116-06100	BOLT, stud	1	⊕	644-11631-03-98	PISTON (Standard 49.98mm)	
12	654-11351-80	GASKET, cylinder	1	⊕	644-11631-02-98	PISTON (Standard 49.98mm)	1
13	654-11311-80-94	CYLINDER	1	⊕	644-11635-03	PISTON (Over Size 50.25mm)	
14	615-11181-00	GASKET, cylinder head	1	⊕	644-11635-02	PISTON (Over Size 50.25mm)	1
15	620-11111-00-94	HEAD, cylinder	1	⊕	644-11636-03	PISTON (Over Size 50.50mm)	1
16	620-11172-00	NUT, holding 2	2	⊕	644-11636-02	PISTON (Over Size 50.50mm)	1
17	90170-06017	NUT, holding 1	2	38	527-11633-00	PIN, piston	1
18	92903-06600	WASHER	4	39	93450-13022	CIRCLIP	2
19	654-13640-00-94	INTAKE MANIFOLD ASS'Y	1	40	644-11610-00	PISTON RING SET (Standard)	1s
20	650-11370-00	CHECK VALVE ASS'Y	1	⊕	644-11610-10	PISTON RING SET (Over Size 50.25mm)	1s
21	654-13645-00	GASKET, intake manifold 1	2	⊕	644-11610-20	PISTON RING SET (Over Size 50.50mm)	1s
22	654-13646-00	GASKET, intake manifold 2	1	41	136-11561-00-03	SHIM, crank 1 (0.3mm)	U.R.
23	97313-06040	BOLT	1		136-11561-00-04	SHIM, crank 1 (0.4mm)	
24	97313-06045	BOLT	1		136-11561-00-05	SHIM, crank 1 (0.5mm)	2
25	92903-06100	WASHER	2		136-11561-00-06	SHIM, crank 1 (0.6mm)	U.R.
26	650-14485-02	PIPE, joint	1		136-11561-00-07	SHIM, crank 1 (0.7mm)	
27	654-24312-00	HOSE (2.5φ-6φ-80mm)	1		136-11561-00-08	SHIM, crank 1 (0.8mm)	
28	90467-06020	CLIP	2	42	620-11650-00	CONNECTING ROD ASS'Y	
29	94701-00039	PLUG, spark (B-6HS) NGK	1	■	654-W0001-80	POWER HEAD GASKET KIT	1
30	654-11400-00	CRANK ASS'Y	1				
* 30	620-11400-01	CRANK ASS'Y	1				

SB S: 002590 and below L: 302060 and below SB S: 002491 and up L: 302061 and up SB S: 002340 and below L: 302040 and below SB S: 002341 and up L: 302041 and up

- * New parts number
- * Not shown
- ⊕ Superseded by new parts number
- Contents of power head gasket kit
- ⊕ Contents of carburetor repair set. (Parts No. 654-W0093-00)

Fig. 5 INTAKE '78/'79

Fig. 4 Ref. No. 19



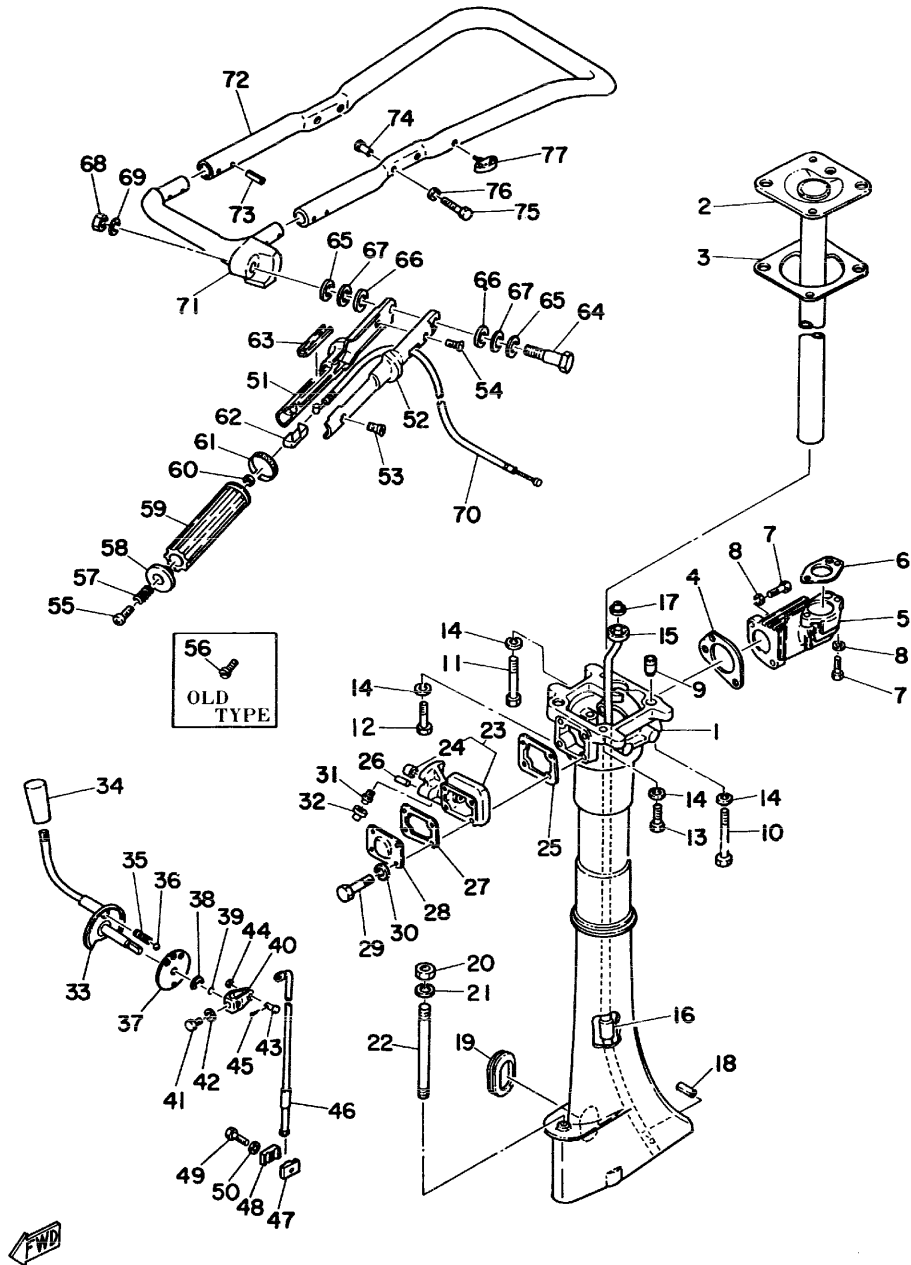
Ref.No.	Parts No.	Description	Q'ty	Ref.No.	Parts No.	Description	Q'ty
1	654-14411-00	CASE, air cleaner	1	34	654-14157-00	. COVER, mixing	1
2	97313-06100	BOLT	1	♣ 35	654-14227-01	. GASKET 1	1
3	92903-06100	WASHER	1	♣ 36	98503-04008	. SCREW, panhead	2
4	90201-06068	WASHER (6.5φ-20φ-2mm)	1	37	92901-04100	. WASHER	2
5	90387-06230	COLLAR (6.5φ-10.5φ-81.5mm)	1	38	654-14155-01	. GUIDE, cable	1
6	90446-05046	HOSE (3φ-5φ-120mm)	1	39	98503-04008	. SCREW, panhead	1
7	90468-06043	CLIP	1	♣ 40	92901-04100	. WASHER	1
♣ 8	620-13647-00	GASKET, intake manifold	1	41	654-14124-00	. BOLT	1
9	97313-06020	BOLT	2	42	647-14161-00	. NUT	1
10	92903-06100	WASHER	2	♣ 43	654-14323-00	. SCREW, air adjusting	1
11	654-41271-01	KNOB, choke	1	44	648-14334-00	. SPRING, air adjusting	1
12	620-26316-00	BOOT, throttle wire	1	45	650-14321-00	. SCREW, throttle	1
13	654-14301-04	CARBURETOR ASS'Y	1	46	654-14334-00	. SPRING, air adjusting	1
14	654-14381-01	. BODY, float chamber	1	47	654-14331-00	. SPRING, throttle valve	1
♣ 15	654-14384-00	. GASKET, float chamber	1	48	626-14326-00	. SCREW, guide	1
♣ 16	98503-04015	. SCREW, panhead	4	49	654-14346-00	. PLATE 1	1
♣ 17	92901-04100	. WASHER	4	50	654-14314-00	. BAR, throttle	1
♣ 18	654-14198-00	. GASKET	1	51	654-14315-00	. LEVER, throttle	1
19	654-14341-00	. NOZZLE, main	1	52	654-41226-00	. CONNECTOR	1
♣ 20	654-14199-00	. GASKET	1	53	654-14357-00	. WASHER	1
21	654-14343-45	. JET, main (#90)	1	54	654-14229-01	. SHAFT, choke	1
♣ 22	654-14216-00	. SCREW	1	55	654-14217-01	. VALVE, choke	1
23	654-14347-00	. AIR JET, slow	1	56	654-14218-00	. SPRING, choke lever	1
24	654-14342-23	. JET, pilot (#46)	1	57	654-14396-00	. PIPE, over flow	2
25	654-14337-00	. AIR JET, main	1	58	654-14201-00	. CHOKE LEVER COMP.	1
♣ 26	647-14385-00	. FLOAT	1	59	654-14363-00	. NUT	1
27	626-14387-00	. ARM, float	1	60	654-14137-00	. CLIP	1
♣ 28	626-14386-00	. PIN, float	1	61	654-14243-00	. PLATE	1
♣ 29	654-14390-20	. VALVE SEAT ASS'Y	1	62	92990-06100	. WASHER	1
♣ 30	626-14398-00	. GASKET 1	1	63	648-14382-60	CAP, drain pipe	1
31	646-14394-00	. DRAIN SCREW	1	64	647-14395-60	CAP, over flow pipe	1
32	646-14223-01	. SPRING, drain valve	1	♣ 65	654-W0093-00	CARBURETOR REPAIR SET	1
♣ 33	646-14397-00	. O-RING	1				

* New Parts number

■ Contents of power head gasket kit (Parts No. 654-W0001-80)

♣ Contents of carburetor repair set

Fig.6 UPPER CASING & STEERING -'78/'79



UPPER CASING & STEERING -'78/'79

Ref.No.	Parts No.	Description	Q'ty	Ref.No.	Parts No.	Description	Q'ty
1	654-45111-80-F6	CASING, upper (Short 544.5mm)	1	37	654-44113-00	CAM PLATE, handle	1
*	654-45111-40-F6	CASING, upper (Long 679.5mm)	1	38	93430-08007	CIRCLIP (E-8φ)	1
2	654-45113-80	GASKET, upper casing 1 (Short 542mm)	1	▲ 39	93210-07222	O-RING (1.9φ-6.8φ)	1
*	654-45113-40	GASKET, upper casing 1 (Long 677mm)	1	40	654-44123-00	ARM, shift rod	1
▲ 3	624-45114-01	GASKET, upper casing 2	1	41	97370-06012	BOLT	1
■ 4	654-41134-00	GASKET, exhaust manifold 2	1	42	92990-06100	WASHER	1
5	654-41131-80-98	MANIFOLD, exhaust 1	1	43	90240-05038	PIN	1
⊕	654-41131-80-85	MANIFOLD, exhaust 1	1	44	92990-05600	WASHER	1
■ 6	654-41133-80	GASKET, exhaust manifold 1	1	45	91490-16010	PIN, cotter	1
7	90101-06M09	BOLT	4	46	654-44143-01	ROD, shift 1 (Short 465mm)	1
8	90201-06043	WASHER (6.4φ-12.5φ-2mm)	4	*	654-44143-11	ROD, shift 1 (Long 600mm)	1
9	91830-22016	PIN, dowel A (8.4φ-12φ-16mm)	2	47	616-44146-01	CONNECTOR, shift rod 2	1
10	97370-06065	BOLT	1	48	616-44145-01	CONNECTOR, shift rod 1	1
11	97370-06055	BOLT	1	49	97370-06020	BOLT	1
12	90101-06M06	BOLT	1	50	92990-06100	WASHER	1
13	90101-06M09	BOLT	1	51	644-42111-02-F6	HANDLE, steering 1	1
14	92990-06100	WASHER	4	52	644-42112-02-F6	HANDLE, steering 2	1
15	654-44361-80	TUBE, water (Short 572.5mm)	1	53	98690-04015	SCREW, ovalhead	1
*	654-44361-40	TUBE, water (Long 707.5mm)	1	54	98680-04020	SCREW, ovalhead	1
16	90445-11262	HOSE (7φ-11φ-30mm)	1	▶ 55	97890-05020	SCREW, panhead	1
17	654-44365-80	RUBBER, water seal	1	◀ 56	98380-05020	SCREW, cylinderhead	1
18	91690-35025	PIN, spring	1	57	90501-09053	SPRING	1
▲ 19	654-45151-01	COVER, upper casing	1	58	624-42126-00-58	FRICTION, steering handle grip	1
20	95380-08600	NUT	1	59	624-42119-01	GRIP, steering handle	1
21	92990-08100	WASHER	1	60	95380-05600	NUT	1
22	90116-08110	BOLT, stud	1	61	654-42137-00	INDICATOR, throttle	1
23	654-45270-02-F6	SHIFTER CASING ASS'Y	1	62	624-42122-00	SLIDER 2	1
24	90386-10087	BUSHING, shifter rod lever	2	63	624-42171-00	BUSHING 1	1
▲ 25	654-45275-00	GASKET, shifter casing	1	64	90109-08M00	BOLT	1
26	93605-20064	PIN, dowel B (5φ-15mm)	1	65	90201-12181	WASHER (12φ-23φ-1mm)	2
▲ 27	642-45273-00	GASKET, shifter casing	1	66	90202-11029	WASHER (11.5φ-23φ-3mm)	2
28	642-45274-01-F6	COVER, shifter casing	1	67	90202-11028	WASHER 1 (11.5φ-23φ-1mm)	2
29	90101-06M05	BOLT	4	68	95380-08700	NUT	1
30	92990-06100	WASHER	4	69	92990-08100	WASHER	1
31	93700-06004	NIPPLE, grease	1	70	654-26311-00	WIRE, throttle	1
32	663-45119-00	CAP, grease nipple	1	71	624-42112-03-F6	HANDLE, steering 2	1
33	654-44120-01	HANDLE GEAR SHIFT ASS'Y	1	72	654-42511-03-F6	BRACKET, steering	1
34	654-44111-00	HANDLE, gear shift	1	73	91690-40020	PIN, spring	4
35	90501-12085	SPRING	1	74	624-42542-00	PIPE 1	4
36	93505-16006	BALL (5/16")	1	75	90101-06M05	BOLT	4
				76	92990-06100	WASHER	4
				77	620-42591-00	HOLDER, share pin	1

◀ { 5B S: 901770 and below
L: 901830 and below } ▶ { 5B S: 901771 and up
L: 901831 and up

* New Parts Number

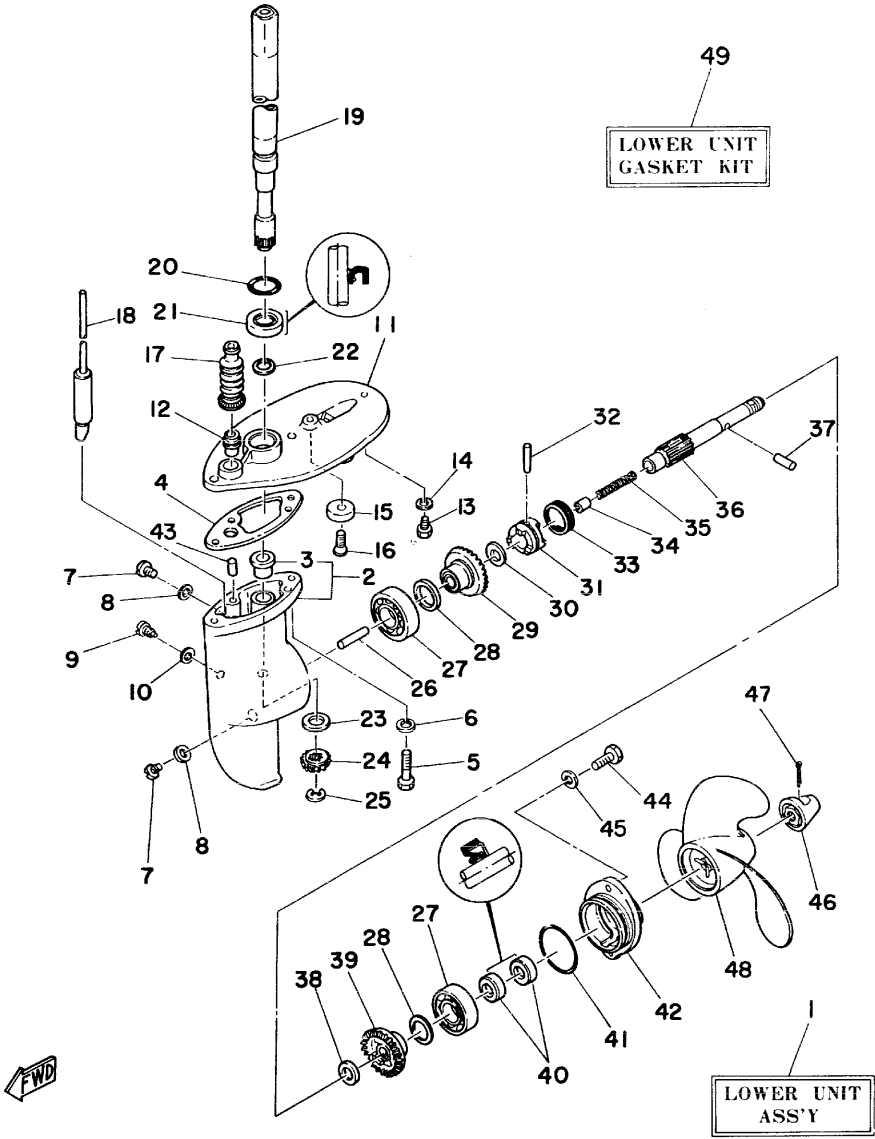
* Not Shown

■ Contents of power head gasket kit (Parts No. 654-W0001-80)

▲ Contents of lower unit gasket kit (Parts No. 654-W0001-30)

⊕ Superseded by new parts number

Fig. 7 LOWER & DRIVE - '78/'79



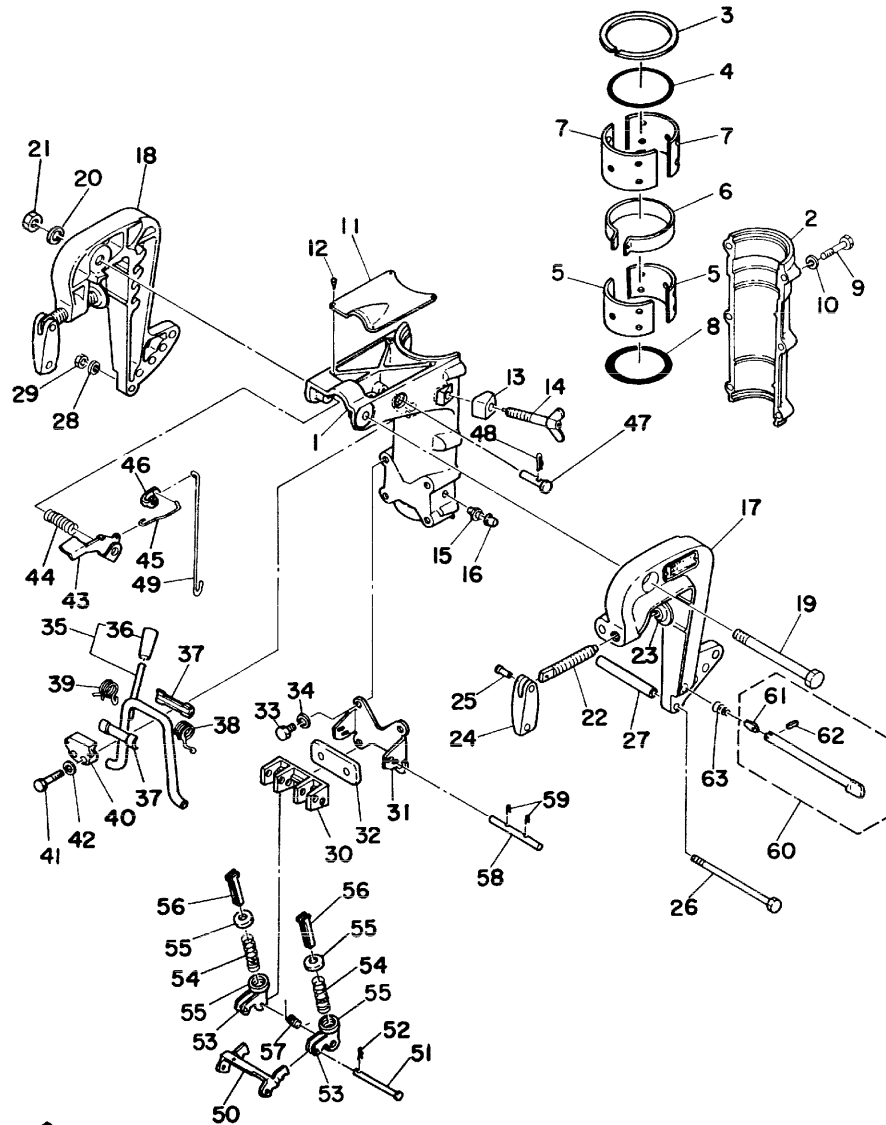
Ref.No.	Parts No.	Description	Q'ty	Ref.No.	Parts No.	Description	Q'ty
1	654-45300-00-F6	LOWER UNIT ASS'Y (Short) (Ref. No. 2 to 12, 15 to 36, 38 to 45)	1	25	93430-07012	CIRCLIP (E-7 ϕ)	1
*	654-45300-10-F6	LOWER UNIT ASS'Y (Long) (Ref. No. 2 to 12, 15 to 36, 38 to 45)	1	26	654-45635-00	PLUNGER, shift	1
2	654-45310-00-F6	LOWER CASING ASS'Y	1	27	93306-00401	BEARING (B6004)	2
3	647-45316-09	BUSHING, drive shaft 1	2	28	654-45567-00-04	SHIM, gear adjust 1 (0.4mm)	} U.R. 2
4	642-45315-00	PACKING, lower casing	1	654-45567-00-05	SHIM, gear adjust 1 (0.5mm)		
5	90101-08M23	BOLT	1	654-45567-00-06	SHIM, gear adjust 1 (0.6mm)		
6	92990-08100	WASHER	1	654-45567-00-07	SHIM, gear adjust 1 (0.7mm)		
7	90340-08014	PLUG, straight	2	29	654-45560-00	GEAK 1 ASS'Y (25T)	1
▲	90430-08020	GASKET	2	30	90201-12471	WASHER (12.2 ϕ -20 ϕ -1.5mm)	1
9	90149-06003	SCREW, detent	1	31	654-45631-01	CLUTCH, dog	1
▲	90430-06015	GASKET	1	32	90250-05046	PIN, straight (5 ϕ -23mm)	1
11	654-45181-00-F6	PLATE	1	33	654-45633-00	RING, cross pin	1
12	647-44152-01	BUSHING, shift cam	1	34	648-45634-00	SLIDE, shift	1
13	97370-05012	BOLT	1	35	90501-10064	SPRING, compression	1
14	92990-05100	WASHER	1	36	654-45611-00	SHAFT, propeller	1
15	616-45251-30	ANODE	1	37	90250-05009	PIN, straight (5 ϕ -25mm)	1
16	90142-06M01	SCREW, slotted	1	38	90201-13477	WASHER (13.2 ϕ -20 ϕ -1.5mm)	1
17	647-44147-00	BOOT, shifter rod	1	39	654-45570-00	GEAR 2 ASS'Y (25T)	1
18	654-44150-00	SHIFT CAM ASS'Y	1	40	93101-13055	OIL SEAL (S-13 ϕ -22 ϕ -6mm)	2
19	654-45510-02	DRIVE SHAFT ASS'Y (Short 633.5mm)	1	▲	93210-48214	O-RING (3.5 ϕ -47.7 ϕ)	1
*	654-45510-12	DRIVE SHAFT ASS'Y (Long 770.5mm)	1	42	654-45361-00-F6	CAP, lower casing	1
▲	93210-24108	O-RING (2.5 ϕ -24 ϕ)	1	43	93606-15020	PIN, dowel B (5 ϕ -15mm)	2
21	93102-18102	OIL SEAL (S-18 ϕ -28 ϕ -8mm)	1	44	97370-06020	BOLT	2
22	90201-12161	WASHER (12.1 ϕ -16.5 ϕ -0.5mm)	1	45	92990-06100	WASHER	2
23	647-45533-00-08	THRUST WASHER (0.8mm)	} U.R. 1	46	647-45616-02	NUT, propeller	1
	647-45533-00-10	THRUST WASHER (1.0mm)					
	647-45533-00-12	THRUST WASHER (1.2mm)					
	647-45533-00-14	THRUST WASHER (1.4mm)					
24	654-45551-00	GEAR, pinion (13T)	1	47	647-45616-01	NUT, propeller	1
				48	91490-30030	PIN, cotter	1
				48	654-45941-01-36	PROPELLER ASS'Y 1 (3x7 $\frac{1}{2}$ "x6 $\frac{1}{2}$ "-B)	} U.R. 1
				644-45941-01-36	PROPELLER ASS'Y 1 (3x7 $\frac{1}{2}$ "x5 $\frac{1}{2}$ "-B)		
				654-45943-01-36	PROPELLER ASS'Y 2 (3x7 $\frac{1}{2}$ "x7 $\frac{1}{2}$ "-B)		
▲	654-W0001-30	LOWER UNIT GASKET KIT	1				

* Not Shown

▲ Contents of lower unit gasket kit

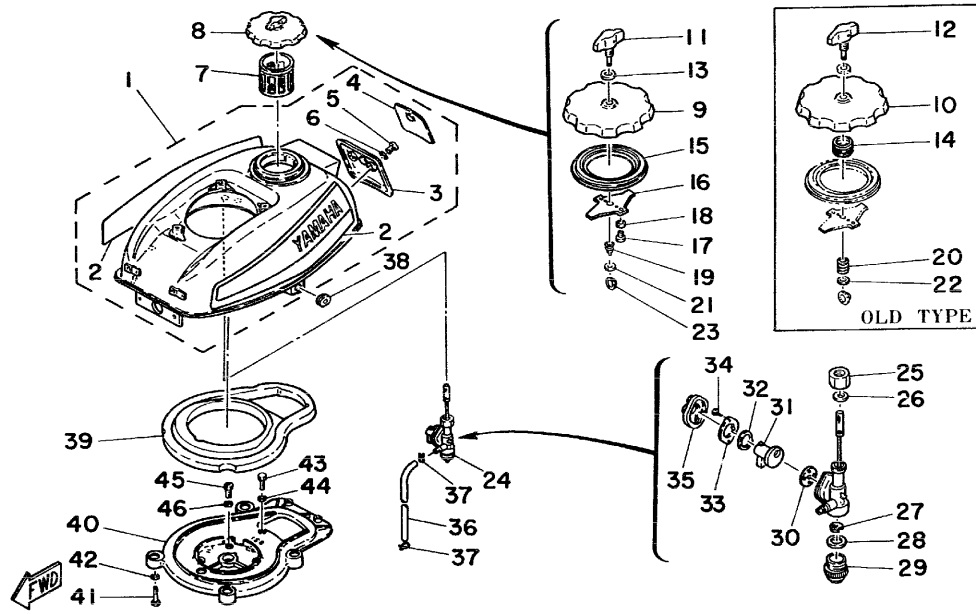
Fig. 8 BRACKET '78/'79

BRACKET '78/'79



Ref.No.	Parts No.	Description	Q'ty	Ref.No.	Parts No.	Description	Q'ty
1	654-43311-01-F6	BRACKET, swivel 1	1	33	97370-06014	BOLT	4
2	620-43312-00-F6	BRACKET, swivel 2	1	34	92990-06100	WASHER	4
3	90209-66017	WASHER	1	35	620-43180-09	TILT STOP LEVER ASS'Y	1
4	93210-61087	O-RING (4.2φ-61.3φ)	1	36	620-43632-00	. KNOB, tilt	1
5	616-42537-01	BUSHING, pivot shaft 1	2	37	620-43189-00	BUSHING	2
6	620-42528-00	PIECE, friction	1	38	90508-16021	SPRING 1	1
7	615-42537-01	BUSHING, pivot shaft 1	2	39	90508-16020	SPRING 2	1
8	93210-57086	O-RING (6.1φ-57.2φ)	1	40	654-43313-00-94	BRACKET, swivel 3	1
9	90101-06M06	BOLT	6	41	97370-06020	BOLT	2
10	92990-06100	WASHER	6	42	92990-06100	WASHER	2
11	654-43318-00-F6	COVER	1	43	654-43631-00	LEVER, tilt 1	1
12	90269-02002	RIVET	4	44	90501-16100	SPRING	1
13	620-43383-00	SEAL, rubber	1	45	654-43616-01	ROD, tilt lock 1	1
14	624-42529-00	SCREW, friction piece	1	46	648-43642-00	LEVER, tilt 2	1
15	93700-06004	NIPPLE, grease	1	47	90240-06049	PIN, with hole	1
16	663-45119-00	CAP, grease nipple	1	48	90468-18008	CLIP	1
17	620-43111-00-F6	BRACKET, clamp 1	1	49	654-43617-00	ROD, tilt lock 2	1
18	620-43112-00-F6	BRACKET, clamp 2	1	50	654-43614-00	PLATE, tilt lock 1	1
19	90101-10073	BOLT	1	51	90240-05048	PIN, with hole	1
20	92990-10100	WASHER	1	52	90468-10005	PIN, hair	1
21	95380-10600	NUT	1	53	647-43615-01	PLATE, tilt lock 2	2
22	90149-12029	SCREW	2	54	90501-26147	SPRING	2
23	648-43114-01	PAD, transom clamp	2	55	647-43627-01	STOPPER 1	4
24	616-43118-00-F6	HANDLE, transom clamp	2	56	647-43613-00	ARM, tilt lock	2
25	90243-04001	PIN	2	57	90508-23194	SPRING, torsion	1
26	90101-06335	BOLT	1	58	654-43659-00	SHAFT, reverse lock	2
27	90560-07008	SPACER (6.5φ-10.5φ-85mm)	1	59	90468-10003	PIN, hair	4
28	92990-06100	WASHER	1	60	620-43160-01	TILT ROD ASS'Y	1
29	95380-06600	NUT	1	61	656-43165-01	. PLATE, tilt lock	1
30	654-43351-02-94	RECEIVER, thrust 1	1	62	91690-30008	. PIN, spring	1
31	654-43352-00	RECEIVER, thrust 2	1	63	90502-10014	SPRING, tilt lock rod	1
32	654-44557-00	MOUNT RUBBER, lower front	1				

Fig. 9 FUEL SECTION '78/'79



Ref.No.	Parts No.	Description	Q'ty	Ref.No.	Parts No.	Description	Q'ty
1	654-24101-05-F6	FUEL TANK COMP.	1	24	654-24500-07	FUEL COCK ASS'Y	1
2	99999-00918	. GRAPHIC, side set	1s	25	654-24531-00	. NUT	1
3	654-42709-00	. CONNECTOR, rear emblem	1	26	654-24532-00	. GASKET, nut	1
4	654-42687-00	. EMBLEM, rear	1	27	654-24515-00	. NET, filter 2	1
5	98501-05008	. SCREW, panhead	2	28	654-24522-01	. GASKET	1
6	92901-05600	. WASHER	2	29	654-24521-02	. CUP, filter	1
7	630-24167-00	STRAINER	1	30	654-24523-02	. VALVE	1
8	647-24610-02	CAP ASS'Y	1	31	654-24524-03	. LEVER, cock	1
▶ 9	620-24611-02	. BODY, cap	1	32	654-24518-01	. WASHER, wave	1
◀ 10	620-24611-01	. BODY, cap	1	33	654-24525-00	. PLATE, lever fitting	1
▶ 11	620-24631	. SCREW, air	1	34	98503-03006	. SCREW, panhead	2
◀ 12	620-24631-01	. SCREW, air	1	35	654-24534-01	. SEAL, cock	1
13	90430-04005	. GASKET	1	36	9044*-09012	HOSE (5ø-9ø-70mm)	1
◀ 14	615-24636-00	. BUSHING, labyrinth	1	37	90467-08004	CLIP, pipe	2
15	611-24612-01	. PACKING, cap	1	38	90480-14074	GROMMET 1	2
16	615-24618-03	. LOCK	1	39	654-24181-02	DAMPER, locating	1
17	98503-05010	. SCREW, panhead	2	40	654-24191-01-94	BRACKET, fuel tank 1	1
18	92903-05100	. WASHER	2	41	97313-06035	BOLT	4
▶ 19	90502-14019	. SPRING, conical	1	42	92903-06100	WASHER	4
◀ 20	90501-10374	. SPRING, compression	1	43	97313-06025	BOLT	2
▶ 21 *	90202-04200	. WASHER	1	44	92903-06100	WASHER	2
◀ 22	92990-04200	. WASHER	1	45	92503-06020	SCREW, panhead	4
23	90501-10260	. SPRING, safety	1	46	92903-06100	WASHER	4

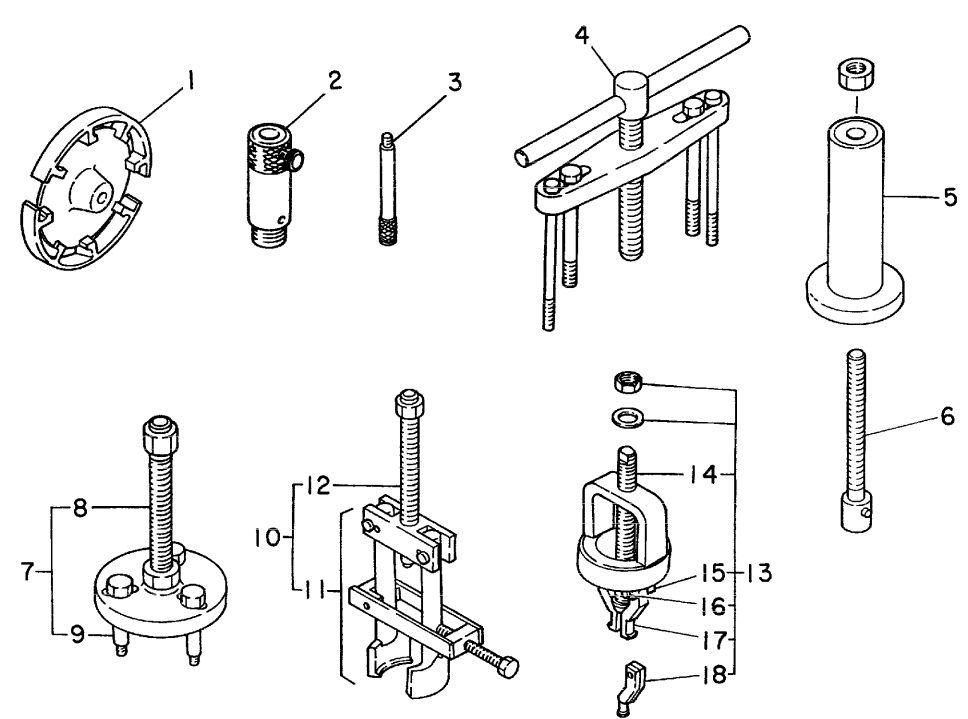
◀ 5B S: 002340 and below
L: 302045 and below

▶ 5B S: 002341 and up
L: 302046 and up

* New parts number

■ Contents of power head gasket kit (Parts No. 654-W0001-80)

Fig. 10 SPECIAL SERVICE TOOLS '78/'79

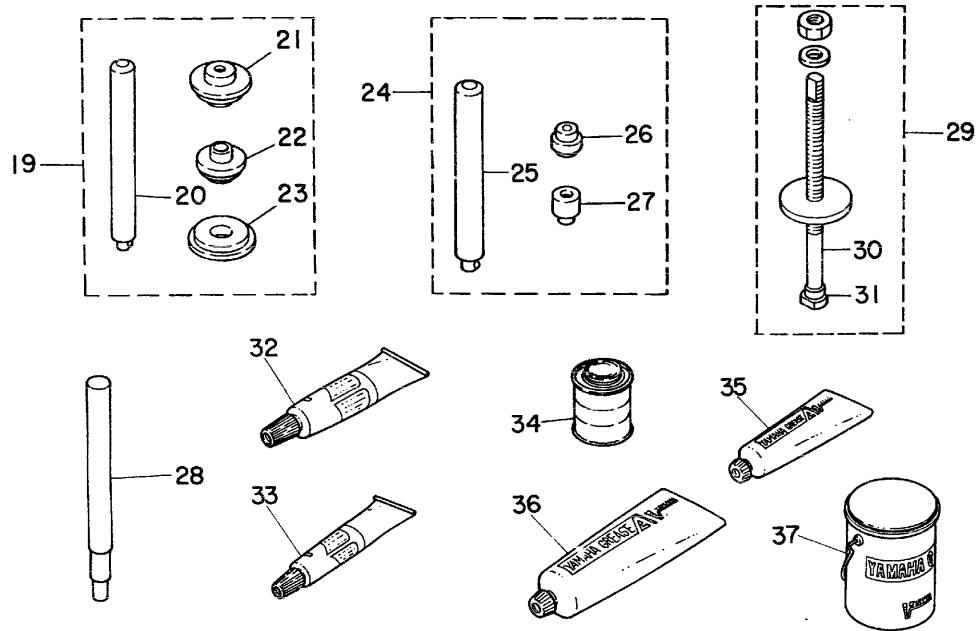


Ref. No.	Parts No.	Description	Q'ty	Applicable Machine	Remarks
1	90890-01615	TEST PROPELLER	1	*	
2	90890-01195	DIAL GAUGE STAND 2	1	**	
3	90890-03098	NEEDLE, dial gauge (56mm)	1	**	
4	90890-06097	CRANKCASE SEPARATING TOOL	1	**	3.5A, 3.5AC, 5B, 5BS
5	90890-01012	CRANK SETTING POT	1	**	3.5A, 3.5AC, 5B, 5BS
6	90890-01014	CRANK SETTING BOLT	1	**	3.5A, 3.5AC, 5B, 5BS
7	90890-06117	FLYWHEEL MAGNETO PULLER ASS'Y	1s	**	
8	90890-06003	. BOLT, center	1	**	
9	90890-06118	. CENTER BOLT, flywheel puller	3	**	
10	90890-06136	CRANKSHAFT BEARING PULLER ASS'Y	1s	**	
11	90890-06137	. HANGER, bearing puller	1	**	
12	90890-06003	. BOLT, center	1	**	
13	90890-06120	BEARING PULLER ASS'Y	1s	**	
14	90890-06003	. BOLT, center	1	**	
15	90890-06009	. CLAW, hanger	1	**	
16	90890-06034	. PIN	2	**	
17	90890-06035	. CLAW A	2	**	
18	90890-06036	. CLAW B	2	**	

Tools with *marks are for the use of 5B.

Tools with **marks are for common use.

SPECIAL SERVICE TOOLS '78/'79



INTERCHANGEABILITY LIST

The following list shows the standard parts (Bolt, Washer etc.) which are newly added to this catalog and are interchangeable with the old standard parts. As new parts are listed only in each section of the catalog, please refer to this list when you order these parts. (You will not need to order new parts if you have stock of the old ones as they are completely interchangeable each other.) Please note we will supply you with new parts when we run out of old ones.

Ref. No.	Parts No.	Description	Q'ty	Applicable Machine	Remarks
19	90890-06121	BEARING INSTALLING TOOL ASS'Y	1s	**	
20	90890-06013	. HANDLE	1	**	
21	90890-06016	. ATTACHMENT C	1	**	
22	90890-06017	. ATTACHMENT D	1	**	
23	90890-06018	. GUIDE X	1	**	2A, 3.5A, 3.5AC, 5B, 5BS
24	90890-06020	OIL SEAL PUSHING-IN TOOL ASS'Y	1s	**	
25	90890-06013	. HANDLE	1	**	
26	90890-06021	. ATTACHMENT E	1	**	3.5A, 3.5AC, 5B, 5BS
27	90890-06023	. ATTACHMENT G	1	**	3.5A, 3.5AC, 5B, 5BS
28	90890-06028	TOOL B, bushing pushing-in	1	**	
29	90890-06029	BUSHING PUSHING-IN TOOL ASS'Y	1	**	
30	90890-06038	. BOLT, center	1	**	
31	90890-06030	. SUPPORT, bushing	1	**	
YAMAHA BOND					
32	90890-05143	YAMAHA BOND 4	}	U. R.	200g
33	90890-05144	YAMAHA BOND 5			150g
34	90890-05074	YAMAHA BOND 7			100g
YAMAHA GREASE					
35	* 90890-69910	YAMAHA GREASE A	}	U. R.	50g
36	* 90890-69911	YAMAHA GREASE A			250g
37	* 90890-69912	YAMAHA GREASE A			4kg

Old Parts No.	New Parts No.	Using Section
97370-06030	→ 90101-06M05	Fig. 6-29, 6-75
97370-06035	→ 90101-06M06	Fig. 6-12, 8-9
97370-06025	→ 90101-06M09	Fig. 6-7, 6-13
97370-08030	→ 90101-08M23	Fig. 7-5
97323-06010	→ 97313-06010	Fig. 2-19
97323-06012	→ 97313-06012	Fig. 2-25
97323-06016	→ 97313-06016	Fig. 1-25, 1-30
97323-06020	→ 97313-06020	Fig. 2-18, 5-9
97323-06025	→ 97313-06025	Fig. 1-28, 3-27, 9-43
97323-06035	→ 97313-06035	Fig. 9-41
97323-06040	→ 97313-06040	Fig. 4-23
97323-06045	→ 97313-06045	Fig. 4-9, 4-24
97323-06055	→ 97313-06055	Fig. 4-8
97323-06100	→ 97313-06100	Fig. 5-2

Tools with * marks are for the use of 5B.
Tools with ** marks are for common use.
* New parts number

NUMERICAL INDEX

Ref. No.	Parts No.	Ref. No.	Parts No.	Ref. No.	Parts No.	Ref. No.	Parts No.	Ref. No.	Parts No.
3-12	116-81331-20	6-71	624-42112-03-F6	7-46	647-45616-02	5- 1	554-14411-00	8-43	654-43631-00
4-35	122-11681-01	6-59	624-42119-01	5-44	648-14334-00	4. 2	654-15111-01-94	8-58	654-43659-00
4-41	136-11561-00-03	6-62	624-42122-00	5-63	648-14382-60	4- 2	654-15111-02-94	6-34	654-44111-00
4-41	136-11561-00-04	6-58	624-42126-00-58	8-23	648-43114-01	4- 3	654-15121-80-94	6-37	654-44113-00
4-41	136-11561-00-05	6-63	624-42171-00	8-46	648-43642-00	4- 5	654-15185-00	6-33	654-44120-01
4-41	136-11561-00-06	8-14	624-42529-00	7-34	648-45634-00	2- 1	654-15710-05-33	6-40	654-44123-00
4-41	136-11561-00-07	6-74	624-42542-00	4-20	650-11370-00	2- 2	654-15711-02-33	6-46	654-44143-01
4-41	136-11561-00-08	1- 3	624-42783-80	5-45	650-14321-00	2-22	654-15712-01	6-46	654-44143-11
4-38	527-11633-00	6- 3	624-45114-01	4-26	650-14485-02	2-17	654-15723-00	7-18	654-44150-00
3-13	603-81328-20	3-11	624-81325-20	3-25	650-82370-00	2-15	654-15758-01	6-15	654-44361-40
9-15	611-24612-01	3-23	624-82370-00	4-43	654-W0001-80	9- 1	654-24101-05-F6	6-15	654-44361-80
4-14	615-11181-00	5-48	626-14326-00	7-49	654-W0001-30	9-39	654-24181-02	8-26	90101-06M09
4-31	615-11412-01	5-28	626-14386-00	4- 1	654-W0090-81	1-22	654-24188-00	7- 5	90101-06M23
4-32	615-11422-02	5-27	626-14387-00	5-65	654-W0093-00	9-40	654-24191-01-94	8-44	90501-16100
2-10	615-15716-00	5-30	626-14398-00	4-13	654-11311-80-94	1-20	654-24193-00	8-54	90501-26147
2-11	615-15719-00	9- 7	630-24167-C0	4-12	654-11351-80	4-27	654-24312-00	8-63	90502-10014
2- 3	615-15724-00	6-27	642-45273-00	4-30	654-11400-00	9-24	654-24500-07	9-19	90502-14019
9-16	615-24618-03	6-28	642-45274-01-F6	4-31	654-11412-00	9-27	654-24515-00	8-39	90508-16020
9-14	615-24636-00	7- 4	642-45315-00	1-24	654-12651-01-58	9-32	654-24518-01	7-16	90142-06M01
8- 7	615-42537-01	4-40	644-11610-00	4-19	654-13640-00-94	9-29	654-24521-02	7- 9	90149-06003
8- 5	616-42537-01	4-40	644-11610-10	4-21	654-13645-00	9-28	654-24522-01	8-22	90149-12029
8-24	616-43118-00-F6	4-40	644-11610-20	4-22	654-13646-00	9-30	654-24523-02	4-17	90170-06017
6-48	616-44145-01	4-37	644-11631-02-96	5-41	654-14124-00	9-31	654-24524-03	1-10	90201-05328
6-47	616-44146-01	4-37	644-11631-02-97	5-60	654-14137-00	9-33	654-24525-00	6- 8	90201-06043
7-15	616-45251-30	4-37	644-11631-02-98	5-38	654-14155-01	9-25	654-24531-00	5- 4	90201-06068
2- 4	619-15713-01	4-37	644-11631-03-96	5-34	654-14157-00	9-26	654-24532-C0	7-22	90201-12161
2- 5	619-15714-00	4-37	644-11631-03-97	5-18	654-14198-00	9-35	654-24534-01	6-65	90201-12181
2- 7	619-15715-00	4-37	644-11631-03-98	5-20	654-14199-00	6-70	654-26311-00	7-30	90201-12471
2- 6	619-15719-02	4-37	644-11635-02	5-58	654-14201-00	6- 5	654-41131-80-85	7-38	90201-13477
2- 8	619-15734-00	4-37	644-11635-03	5-22	654-14216-00	6- 5	654-41131-80-98	9-21	90202-04200
2- 9	619-15741-01	4-37	644-11636-02	5-55	654-14217-01	6- 6	654-41133-80	6-67	90202-11028
2-13	619-15755-01	4-37	644-11636-03	5-56	654-14218-00	6- 4	654-41134-00	6-66	90202-11029
4-15	620-11111-00-94	6-51	644-42111-02-F6	5-35	654-14227-01	5-52	654-41226-00	8- 3	90209-66017
4-16	620-11172-00	6-52	644-42112-02-F6	5-54	654-14229-01	5-11	654-41271-01	6-43	90240-05038
4-30	620-11400-01	7-48	644-45941-01-36	5-61	654-14243-00	6-61	654-42137-00	8-51	90240-05048
4-42	620-11650-00	5-32	646-14223-01	5-13	654-14301-04	6-72	654-42511-03-F6	8-47	90240-06049
4-33	620-11651-00	5-31	646-14394-00	5-50	654-14314-00	1- 7	654-42614-00	8-25	90243-04001
5- 8	620-13647-00	5-33	646-14397-00	5-51	654-14315-00	9- 4	654-42687-00	7-37	90250-05009
9-10	620-24611-01	5-42	647-14161-00	5-43	654-14323-00	1-15	654-42691-00	7-32	90250-05046
9- 9	620-24611-02	5-26	647-14385-00	5-47	654-14331-00	9- 3	654-42709-00	8-12	90269-02002
9-12	620-24631-01	5-64	647-14395-60	5-46	654-14334-00	1- 1	654-42741-02-F6	3-29	90280-03M01
9-11	620-24631-02	9- 8	647-24610-02	5-25	654-14337-00	1-16	654-42743-01	3-29	90280-03M04
5-12	620-26316-00	8-56	647-43613-00	5-19	654-14341-00	1-14	654-42752-01	7- 7	90340-08014
8- 6	620-42528-00	8-53	647-43615-01	5-24	654-14342-23	1- 2	654-42771-02-F6	6-24	90386-10087
6-77	620-42591-00	8-55	647-43627-01	5-21	654-14343-45	1-13	654-42772-03-F6	5- 5	90387-06230
8-17	620-43111-00-F6	7-17	647-44147-00	5-49	654-14346-00	8- 1	654-43311-01-F6	1-12	90387-16211
8-18	620-43112-00-F6	7-12	647-44152-01	5-23	654-14347-00	8-40	654-43313-00-94	9-13	90430-04005
8-60	620-43160-01	7- 3	647-45316-09	5-53	654-14357-00	8-11	654-43318-00-F6	7-10	90430-06015
8-35	620-43180-09	7-23	647-45333-00-08	5-59	654-14363-00	8-30	654-43351-02-94	9-36	90445-09012
8-37	620-43189-00	7-23	647-45533-00-10	5-14	654-14381-01	8-31	654-43352-00	6-16	90445-11262
8- 2	620-43312-00-F6	7-23	647-45533-00-12	5-15	654-14384-00	8-50	654-43614-00	5- 6	90446-05046
8-13	620-43383-00	7-23	647-45533-00-14	5-29	654-14390-20	8-45	654-43616-01	4-28	90467-06020
8-36	620-43632-00	7-46	647-45616-01	5-57	654-14396-00	8-49	654-43617-00	9-37	90467-08004

NUMERICAL INDEX

Ref. No.	Parts No.	Ref. No.	Parts No.	Ref. No.	Parts No.	Ref. No.	Parts No.	Ref. No.	Parts No.
2-24	661-81363-00	5- 7	90468-06043	10-11	90890-06137	8-28	92990-06100	8-33	97370-06014
6-32	663-45119-00	8-59	90468-10003	2-11	90890-44373	8-34	92990-06100	6-49	97370-06020
8-16	663-45119-00	8-52	90468-10005	10-35	90890-69910	8-42	92990-06100	7-44	97370-06020
1-23	670-28100-60	8-48	90468-18008	10-36	90890-69911	6-21	92990-08100	8-41	97370-06020
3-24	677-82370-00	1-21	90480-12M01	10-37	90890-69912	6-69	92990-08100	6-11	97370-06055
6-29	90101-06M05	2-21	90480-14074	6-45	91490-16010	7- 6	92990-08100	6-10	97370-06065
6-75	90101-06M05	9-38	90480-14074	7-47	91490-30030	8-20	92990-10100	1- 8	97890-05016
6-12	90101-06M06	6-57	90501-09053	8-62	91690-30008	7-40	93101-13055	6-55	97890-05020
8- 9	90101-06M06	7-35	90501-10064	6-18	91690-35025	7-21	93102-18102	6-56	98380-05020
6- 7	90101-06M09	9-23	90501-10260	6-73	91690-40020	4- 4	93102-20092	3-14	98501-04006
6-13	90101-06M09	9-20	90501-10374	4- 7	91830-22016	6-39	93210-07222	3- 8	98501-04012
8-26	90101-06335	6-35	90501-12085	6- 9	91830-22016	7-20	93210-24108	3- 5	98501-04032
7- 5	90101-08M23	8-44	90501-16100	9-45	92503-06020	7-41	93210-48214	9- 5	98501-05008
8-19	90101-10073	8-54	90501-26147	3- 6	92901-04100	8- 8	93210-57086	9-34	98503-03006
6-64	90109-08M00	8-63	90502-10014	3- 9	92901-04100	8- 4	93210-61087	5-36	98503-04008
4-11	90116-06100	9-19	90502-14019	5-17	92901-04100	7-27	93306-00401	5-39	98503-04008
6-22	90116-08110	8-39	90508-16020	5-37	92901-04100	4- 6	93306-20418	5-16	98503-04015
7-16	90142-06M01	3-38	90508-16021	5-40	92901-04100	4-36	93310-11268	9-17	98503-05010
7- 9	90149-06003	8-57	90508-23194	3-10	92901-04200	4-34	93310-41810	1- 4	98503-05015
8-22	90149-12029	8-27	90560-07008	9- 6	92901-05600	7-25	93430-07012	1- 8	98503-05015
4-17	90170-06017	10- 5	90890-01012	3-17	92903-05100	2-12	93430-07020	1-17	98503-05015
1-10	90201-05328	10- 6	90890-01014	9-18	92903-05100	6-38	93430-08007	3-16	98503-05025
6- 8	90201-06043	10- 2	90890-01195	1-26	92903-06100	2-16	93430-10016	6-54	98680-04020
5- 4	90201-06068	10- 1	90890-01615	1-29	92903-06100	4-39	93450-13022	6-53	98690-04015
7-22	90201-12161	10- 3	90890-03098	1-31	92903-06100	6-36	93505-16006	3-20	98701-05008
6-65	90201-12181	10-34	90890-05074	2-20	92903-06100	6-26	93605-20064	3-18	98703-05018
7-30	90201-12471	10-32	90890-05143	2-26	92903-06100	7-43	93606-15020	9- 2	99999-00918
7-38	90201-13477	10-33	90890-05144	3-28	92903-06100	6-31	93700-06004		
9-21	90202-04200	10- 8	90890-06003	4-10	92903-06100	8-15	93700-06004		
6-67	90202-11028	10-12	90890-06003	4-25	92903-06100	4-29	94701-00039		
6-66	90202-11029	10-14	90890-06003	5- 3	92903-06100	3-21	95303-10600		
8- 3	90209-66017	10-15	90890-06009	5-10	92903-06100	6-60	95380-05600		
6-43	90240-05038	10-20	90890-06013	9-42	92903-06100	8-29	95380-06600		
8-51	90240-05048	10-25	90890-06013	9-44	92903-06100	6-20	95380-08600		
8-47	90240-06049	10-21	90890-06016	9-46	92903-06100	6-68	95380-08700		
8-25	90243-04001	10-22	90890-06017	4-18	92903-06600	8-21	95380-10600		
7-37	90250-05009	10-23	90890-06018	3-22	92903-10160	2-19	97313-06010		
7-32	90250-05046</								

